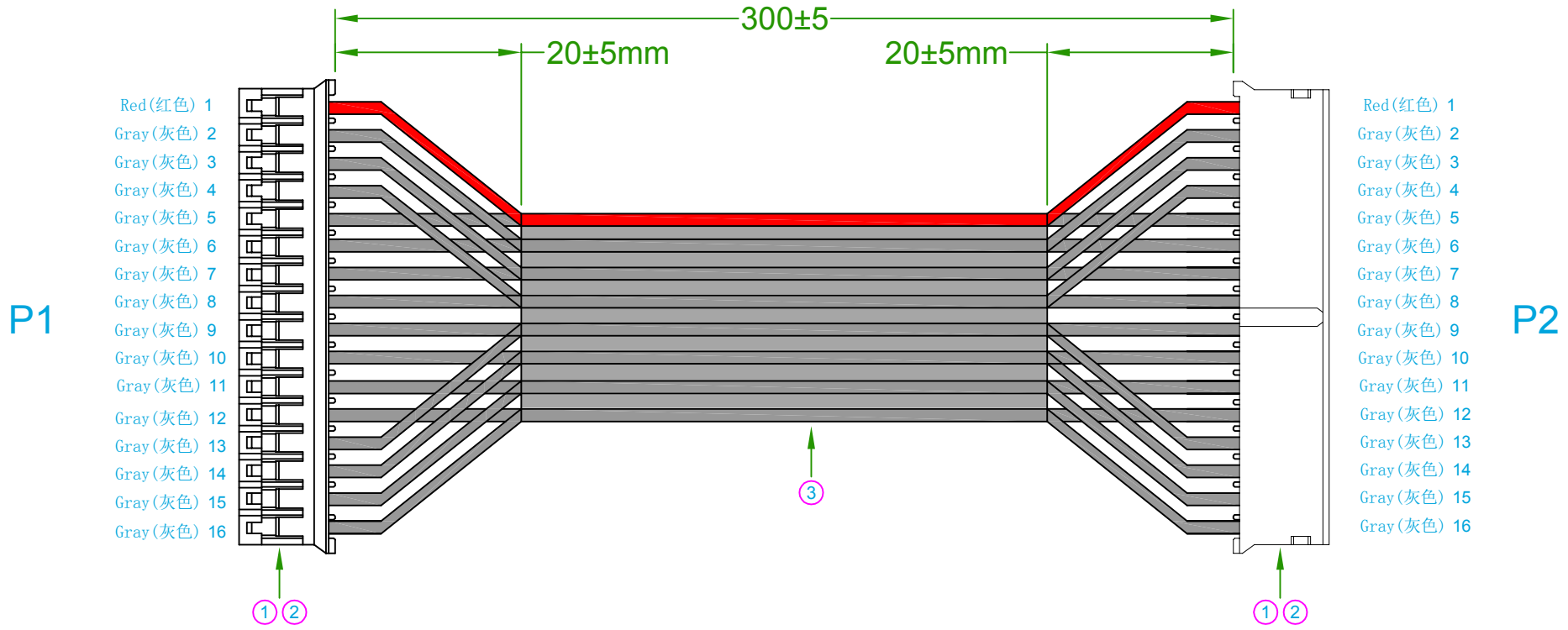


DATE	OLD REV	NEW REV	ECN	DESCRIPTION	CHECK	APPROVAL



- Red (红色) 1
- Gray (灰色) 2
- Gray (灰色) 3
- Gray (灰色) 4
- Gray (灰色) 5
- Gray (灰色) 6
- Gray (灰色) 7
- Gray (灰色) 8
- Gray (灰色) 9
- Gray (灰色) 10
- Gray (灰色) 11
- Gray (灰色) 12
- Gray (灰色) 13
- Gray (灰色) 14
- Gray (灰色) 15
- Gray (灰色) 16

- Red (红色) 1
- Gray (灰色) 2
- Gray (灰色) 3
- Gray (灰色) 4
- Gray (灰色) 5
- Gray (灰色) 6
- Gray (灰色) 7
- Gray (灰色) 8
- Gray (灰色) 9
- Gray (灰色) 10
- Gray (灰色) 11
- Gray (灰色) 12
- Gray (灰色) 13
- Gray (灰色) 14
- Gray (灰色) 15
- Gray (灰色) 16

**CONNECTION**

P1		P2
1	Red (红色)	1
2	Gray (灰色)	2
⋮		⋮
15	Gray (灰色)	15
16	Gray (灰色)	16

③	Wire	UL2651 28AWG OD=0.70mm Gray Flat Cable L=300mm	1	pcs
②	Terminal	PH2.00 Phosphor Bronze Tin-Plated 2001T-PS	32	pcs
①	Housing	PH2.00 Housing 12P 2001H-16-P0	2	pcs
No.	Name	Description	Qty	Unit

GENERAL TOLERANCE		PROJECT					PART NO.		
.X	±0.30	UNIT	SCALE	NUMBER	REV	DATA	SMC21005.212.00		
.XX	±0.20	MM	1:1	A-1001	A	2024/11/13	TITLE PH2.0mm 16P Gray Flat Cable		
.XXX	±0.10	APPROVAL		CHECK	DRAWN		Bob Sun	Xiaoxin Li	Liu gang

由 Autodesk 教育版产品制作

由 Autodesk 教育版产品制作